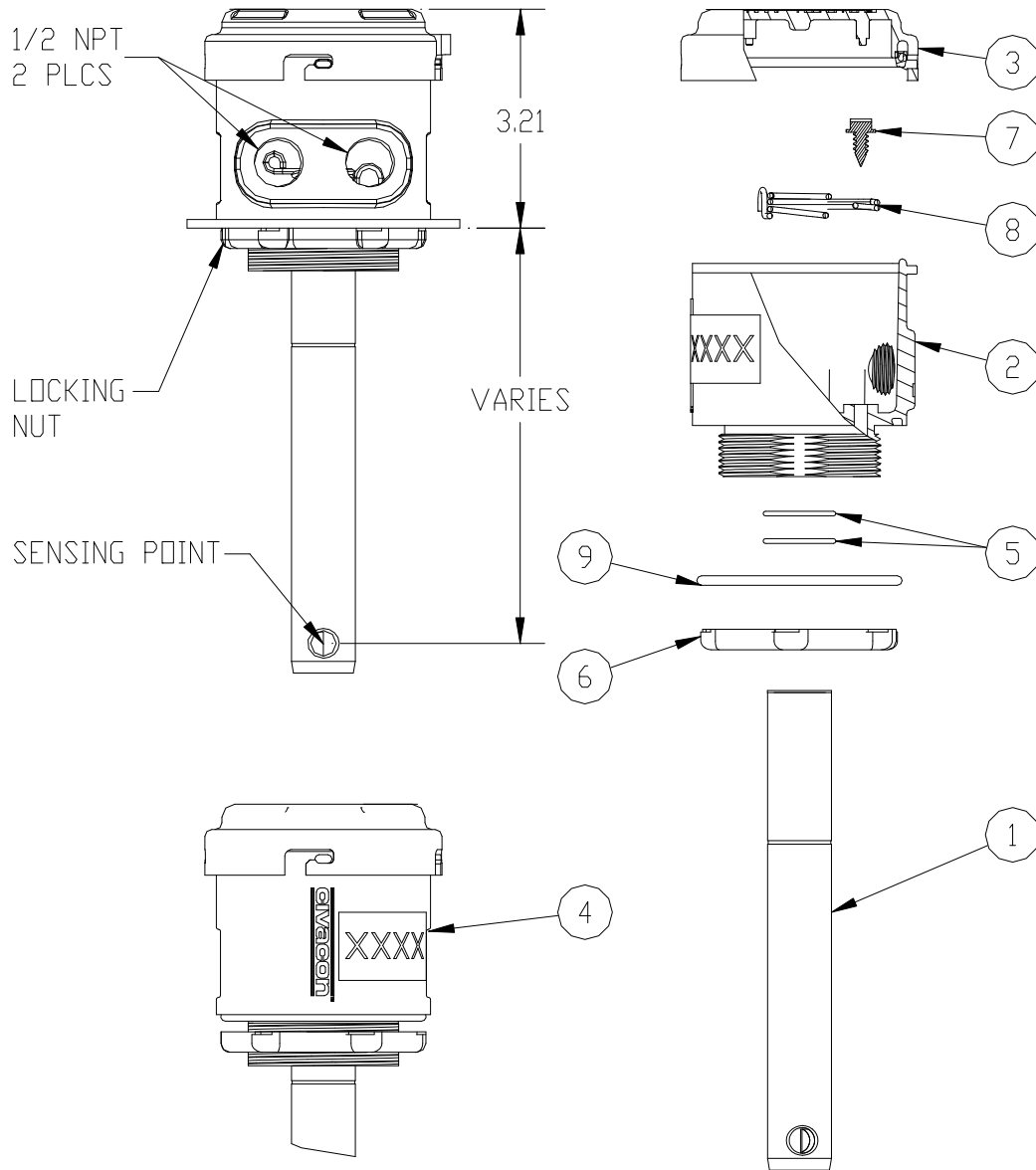




## 1112 Series Optic Sensor (5-Wire)



PARTS BREAK DOWN

ITEM	PART NUMBER	DESCRIPTION	QTY.
1	1302-XXXX	OPTIC OVERFILL PROBE	1
2	H52931	HOUSING BODY	1
3	H52936M	CAP W/ U-CUP SEAL	1
4	H52301M-1112	LABEL	1
5	H52842M	O-RING, BUNA-N	2
6	H52477M	LOCK NUT	1
7	H52898M	SCREW	1

ITEM	PART NUMBER	DESCRIPTION	QTY.
8	H52845M	SPRING	1
9	H52844M	O-RING, VITON	1

\*\* H50070M PIPE PLUG KIT (not shown)

REPAIR KITS	
1455-1455	Probe Housing & Cap

\*\* ALL ITEMS INCLUDED IN 1455-1455 EXCEPT ITEM 1 & 4