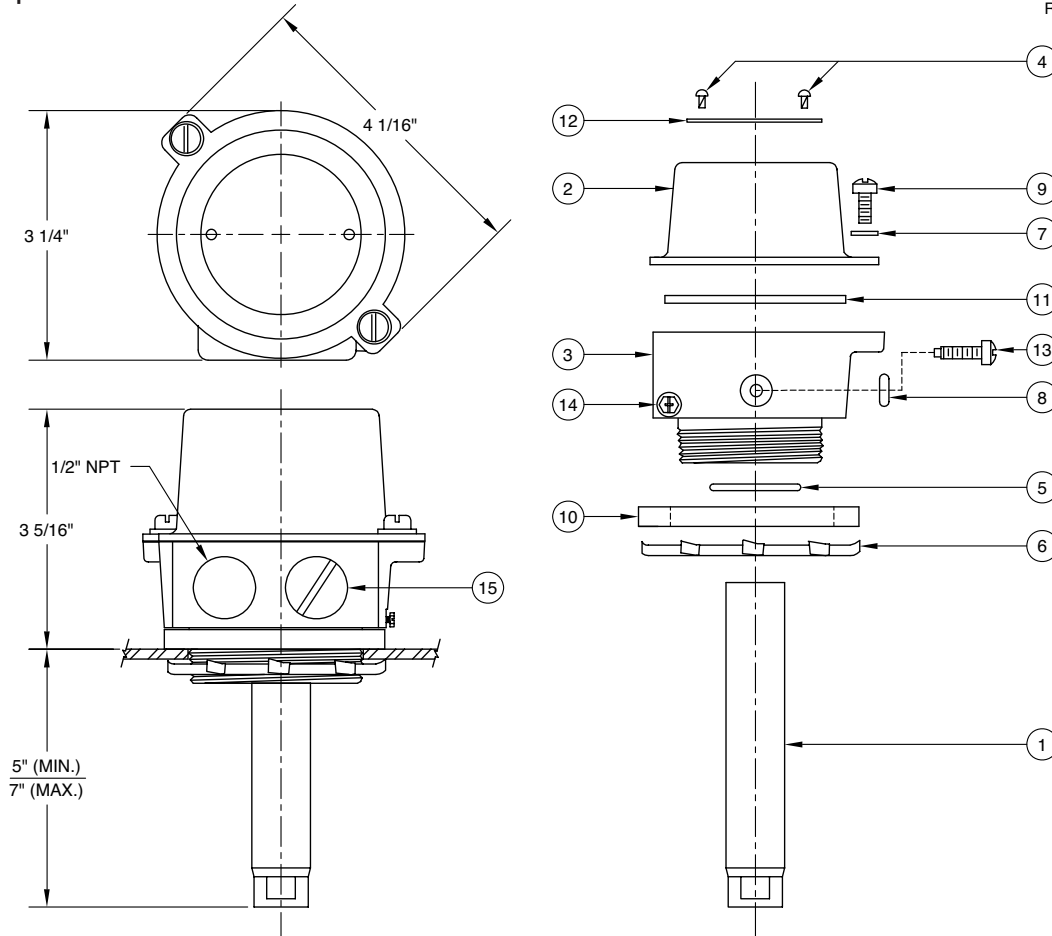




Model #1110 Optic Sensor (5 Wire 2" NPT)

Replacement Parts

Rev. 0, January 2003



ITEM	PART NUMBER	DESCRIPTION	QTY.
1	1300	OPTIC SENSOR	1
N/A	1355	PROBE HOUSING (INCLUDES ALL ITEMS EXCEPT ITEMS 1, 4 & 12)	N/A
2	C40030A	UPPER HOUSING CAP	1
3	D40023A	LOWER HOUSING BODY	1
4	H50066M	DRIVE SCREW	2
5	H50080M	O-RING (BODY SENSOR TUBE)	1
6	H50083M	LOCK NUT (2" N.P.T.)	1
7	H50086M	WASHER (1/4" SPLIT, S.S.)	2
8	H50088M	O-RING (PROBE ADJUSTING SCREW)	1
9	H50153M	SCREW (1/4-20 X 1/2 STL, FIL, S.S.)	2
10	H50276M	GASKET (BASE SENSOR)	1
11	H50279M	O-RING (CAP SENSOR)	1
12	H50284M	NAME PLATE (1110 SENSOR)	1
13	H50371M	PROBE ADJ. SET SCREW (1/4-20 X 27/32 STL, FIL, S.S.)	1
14	H50524M	GREEN GROUNDING SCREW (#8-32 X 3/8 CMB, BND, DC)	1
15	H50070M	PIPE PLUG (1/2" N.P.T.)	1