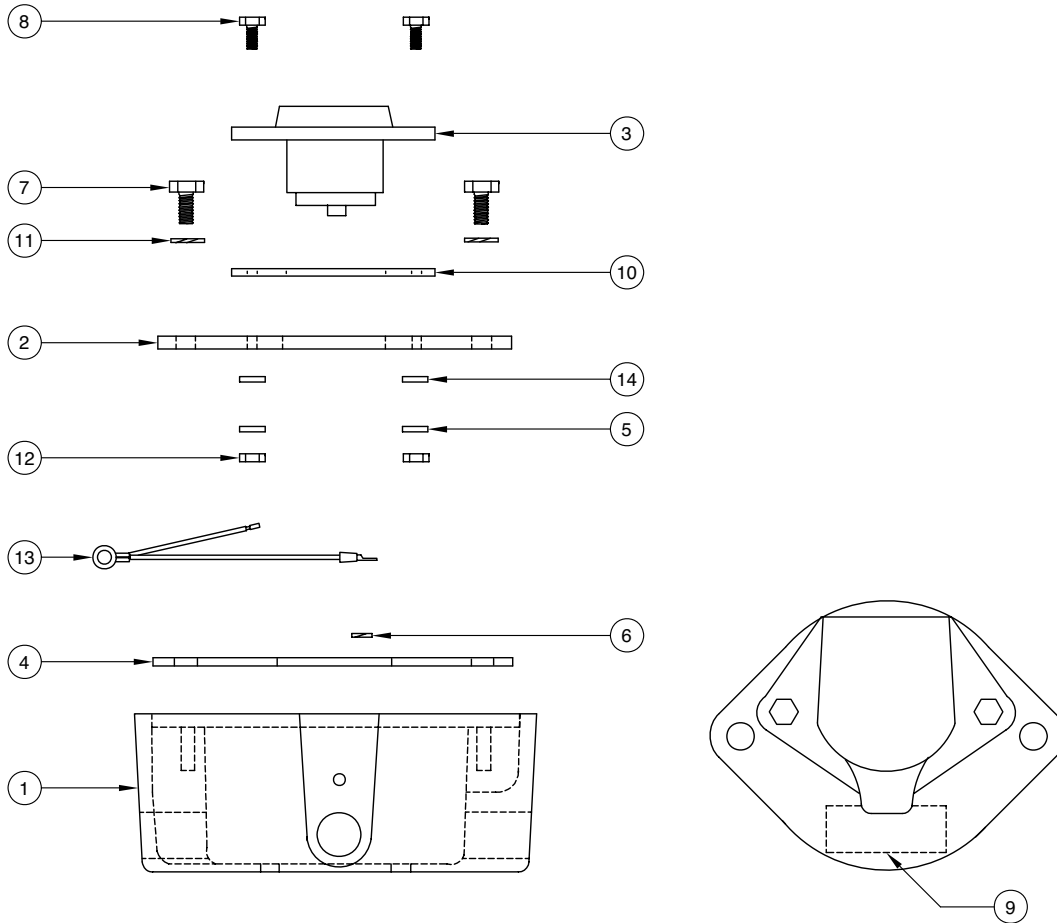




Model #4300 Socket J560 pattern for optic output

Replacement Parts

Rev. 0, January 2003



ITEM	PART NUMBER	DESCRIPTION	QTY.
1	D40100A	BODY (SOCKET, MOLDED)	1
2	H50044M	PLATE (ADAPTER, J560)	1
3	H50045M	SOCKET (7WAY, FLANGED, PLASTIC)	1
4	H50064M	GASKET (SOCKET BODY, NEOPRENE)	1
5	H52413M	WASHER (1/4 S.S.)	2
6	H50100M	WASHER (#6 INTL, S.S.)	1
7	H50108M	SCREW (5/16-18 X 3/4 S.S.)	2
8	H52414M	SCREW (5/16-18 X 1 S.S.)	2
9	H50149M	NAME PLATE (4300 J560 OPTIC SOCKET)	1
10	H50240M	GASKET (7 WAY SOCKET, NEOPRENE)	1
11	H50250M	WASHER (5/16 EXTL, S.S.)	2
12	H52415M	HEX NUT (5/16-18, S.S.)	2
13	H50618M	ASSY. (WIRE, GROUND, SOCKET)	1
14	H50088M	O-RING (BUNA)	2
N/A	H50059M	TERMINAL PIN (NOT SHOWN)	9