

API Assembly

1. Insert handle shaft through hole in body and place large e-clip on shaft.
2. Apply fluorosilicon grease (Dow Corning 3452 or equivalent) to quad ring, washer, handle shaft and inside the hole in which these components are inserted. Press quad ring, washer and bearing over shaft and into the hole in body until flange on bearing is flush with surface on body.
3. Place o-ring, washer, spring, hub and nylon washer over shaft. Position handle so the hole in the shaft aligns with the hole in the handle and the slot in the hub. Insert the fulcrum pin into the hole and secure it with the bowtie clip.
4. Insert poppet bearing into the hole in the body, then insert the poppet assembly through the spring and through the bearing.
5. Insert pin through poppet shaft.
6. Insert link 2 through poppet shaft and secure with pins.
7. Insert link 1 into hole in handle shaft and put small e-clip on link 1 to secure it to the handle shaft.
8. Place o-ring into slot on the body.
9. Coat screws with NEVER SEEZE and attach nose piece to body with screws and lock washers.
10. Verify proper operation as described in semi annual inspection.
11. Place float ball over one of the holes on the side of the body. Place the sight glass o-ring inside the groove of the sight glass and place the sight glass over the four holes on the body. Secure the sight glass with screws and washers.

Warranty

All parts and products are thoroughly inspected and tested from the time raw material is received at our plant, until the product is completed. We guarantee that all products are free from defects in materials and workmanship for a period of one year from the date of shipment. Any product that may prove defective within said one year period will, at our discretion, be promptly repaired, replaced or credit given for future orders. This warranty shall not apply to any products which has been altered in any way, which has been repaired by any parts other than an authorized service representative, or when such a failure is due to misuse or condition of use. We shall have no liability for labor costs, freight costs or any other costs or charges in excess of the amount of invoice for the products.

THIS WARRANTY IS IN LIEU OF ALL OTHER WARRANTIES, EXPRESS OR IMPLIED AND SPECIFICALLY THE WARRANTIES OF MERCHANTABILITY AND FITNESS FOR A PARTICULAR PURPOSE.

WARNING!!

CIVACON products should be used in compliance with the applicable federal, state and local laws and regulations. Product selection should be based on physical specifications and limitations, compatibility with the environment, and the material being handled.

CIVACON MAKES NO WARRANTIES OF FITNESS FOR A PARTICULAR PURPOSE.

TECHNICAL ASSISTANCE

If at any time during the installation a question arises that is not covered in this manual or with any other applicable documents feel free to call the Customer Service Department or visit our website at www.civacon.com.

In the U.S., call 1-888-526-5657
In all other countries, call your local agent.



PHONE: (816) 741-6600 • (888) 526-5657 • Fax: (816) 741-1061
4304 Mattox Road • Kansas City, MO 64150 • www.civacon.com



civacon[™]
AN **OPW** FLUID TRANSFER GROUP COMPANY

891 Series Flat Bottom Loading Adaptor Instruction & Maintenance Manual

P/N: 12000PA

Rev. +, February 2009



Product Description

Civacon's 891 flat bottom API adaptor design reduces product retention and increases flow while unloading. The ergonomic handle smoothly opens the poppet during manual operation and the hardened nose is rotatable for longer service life. The poppet seal is easily serviced without removing the API from the truck. The 891 adaptor conforms to API 1004 and EN13083 regulations. Civacon's 891 is a direct replacement for the 861, 897 and all competitors' bottom loading adaptors.

Manual

This manual contains the inspection, maintenance schedule and instructions for repairing and replacing parts for all the 891 API adaptors. The following schedule, based on the environmental conditions in the northern United States, is only a recommendation: *Inspection and maintenance intervals must be adjusted according to use and operating conditions.* If any parts are damaged, refer to the *Annual Inspection and Maintenance* section.



PHONE: (816) 741-6600 • (888) 526-5657 • Fax: (816) 741-1061
4304 Mattox Road • Kansas City, MO 64150 • www.civacon.com

Semi-Annual Inspection

Visually inspect and test the valve for proper operation. This inspection can be done without removing the API from the trailer. Before the inspection, ensure that all lines are empty. *Follow all safety procedures.* If any of the following parts need to be repaired or replaced, refer to the *Annual Inspection & Maintenance* section.

Visual Inspection

1. Inspect the nose external sealing surface for dents or gouges which could interfere with interfacing equipment or cause leaks. See Figure 2.
2. Inspect the backside of the nose (as shown in Figure 3) for excessive wear from the loading coupler. Its hard coated surface should be free of gouges and grooves which could cause leaks. If gouges and grooves exist, the adaptor end should be rotated or replaced. Inspect the inside sealing surface (as shown in figure 3) for wear.
3. Inspect stop pin for excessive wear or damage. The handle should remain in the open position when placed on top of the stop pin. If the valve does not remain open because the stop pin is worn, replace the pin. The gap between the stop pin and handle should be at least 3/16" as shown in Figure 4.

**FIGURE 2:
API Nose Surface**

External Sealing Surface

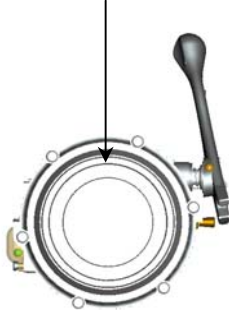
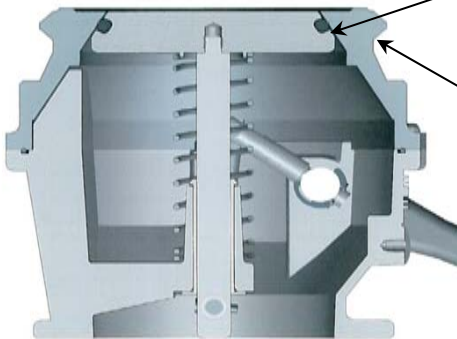
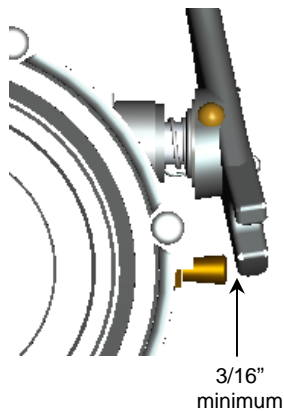


FIGURE 3: Backside of Adaptor End

Inside Sealing Surface
Coupler Surface



**FIGURE 4:
API Handle Gap**



Physical Inspection

1. Use the handle to open and close the API several times. The handle should move smoothly.
2. Open the API with the handle as if unloading. Release the handle from the latched position allowing the poppet to slam shut. The poppet should close and center itself.
3. Open the valve by pushing on the poppet with a soft nonmetallic tool as far off center as possible and allow the poppet to slowly close. Repeat several times, the poppet should center and reseal every time.

Annual Inspection

1. Remove API from the trailer, and inspect it at the workbench.
2. Keep the API in the closed position.
3. Remove the six screws and lock washers from the nose. When the nose is removed the poppet assembly will extend less than 1/4".
4. Remove o-ring from the body.
5. Remove the small e-clip and slide link out of the handle shaft.
6. Disassemble poppet assembly. Remove the clevis pins located at the end of the poppet assembly by depressing the spring loaded wedge. Slide link out of the poppet shaft. Remove poppet assembly and spring.
7. Inspect and replace poppet o-ring as needed. Do not damage the poppet o-ring groove when removing the o-ring.
8. Inspect the sealing surface of the nose for wear as shown in Figure 3, page 2.
9. Inspect the poppet shaft for scoring or contamination. Wipe off any contamination, if shaft is scored a 600 grit or finer polishing cloth may be used.
10. Inspect inside of the poppet bearing for wear or foreign material. Wipe off any contamination and replace bearing if necessary.
11. Remove large e-clip.
12. Remove handle assembly from body.
13. Remove bowtie clip and pin to disengage handle.
14. Inspect quad ring and washer for wear and contamination and replace if needed.
15. Inspect surface of handle shaft and inside surface of the hub and bearing for wear. Hub should move freely over the shaft. Wipe off any contamination, polish with 600 grit or finer polishing cloth or replace as needed.
16. Inspect nylon washers, o-ring, spring, and fulcrum pin for wear and replace as needed.
17. For adaptors that have sight glasses remove the screws and washers and inspect the sight glass for wear or cracks. Inspect the o-ring and float ball for wear or cracks and replace as needed.

Installation Procedure

1. Remove nuts, bolts and washers from existing API adaptor.
2. Remove API adaptor and gasket. Thoroughly clean mounting flange.
3. Install new gasket (P/N 9095).
4. Position new API adaptor with notch in mounting flange oriented to the top position.
5. Install nuts, bolts and washers.