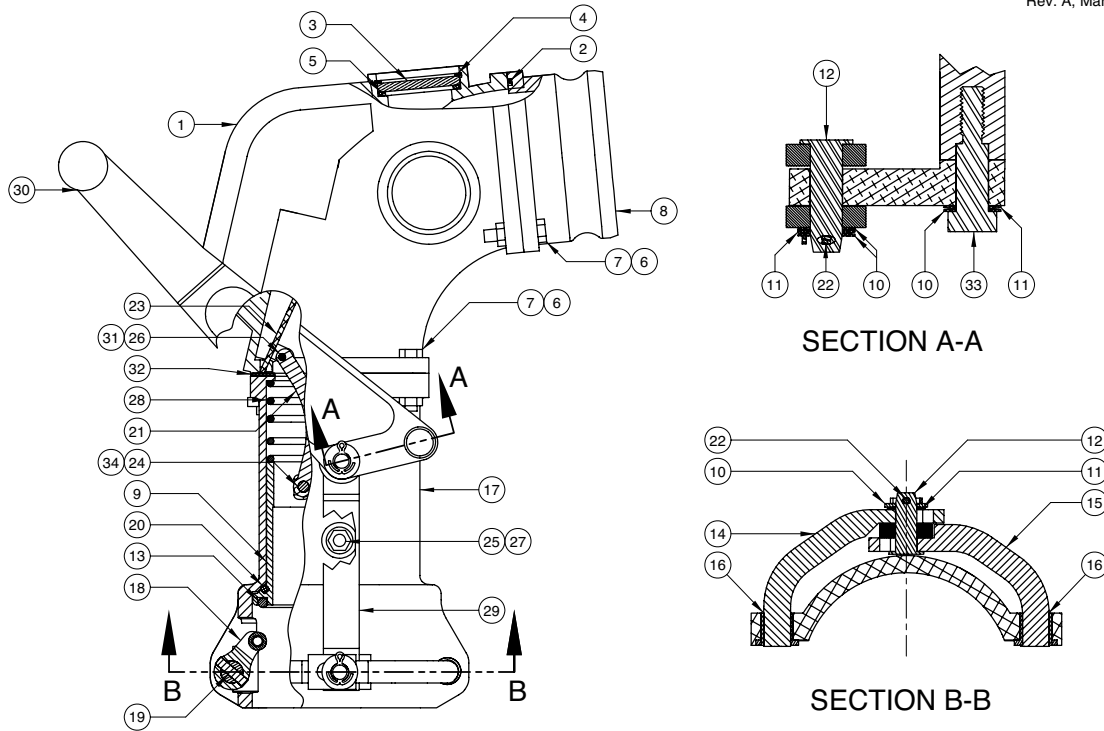




70TTL 4" Shut Off Delivery Elbow

Replacement Parts

Rev. A, March 2006



ITEM	PART NUMBER	DESCRIPTION	QTY.
1	SE10235A	UPPER BODY ¹	1
2	H20642M	O-RING (BUNA) ¹	1
2A	H52373M	OLD-STYLE FLAT GASKET	1
3	H51697P	SIGHT GLASS ^{1,3}	3
4	H20644M	RETAINING RING ^{1,3}	3
5	H20010M	GASKET (BUNA) ^{1,3}	3
6	H06151M	HEX NUT ¹	8
7	H03114M	SCREW (HEX CAP) ¹	8
8	D10231A	ADAPTOR (MALE) ¹	1
9	D10257AH	SLEEVE	1
10	H03866M	WASHER (FLAT)	6
11	H10088M	WASHER (SPRING)	4
12	H20373M	PIN	2
13	H20735M	O-RING (BUNA)	1
14	C10144M	DRIVE STEM (OUTER)	1
15	C10143M	DRIVE STEM (INNER)	1
16	H10090M	FLANGE BEARING	4
17	E51411A	LOWER BODY	1
18	H20495M	YOKE ASSEMBLY	2
19	H20476M	PIN	2
20	H20842M	O-RING (BUNA) ²	1

ITEM	PART NUMBER	DESCRIPTION	QTY.
21	H20640M	LINKAGE ²	1
22	H51787M	COTTER PIN	2
23	C10233M	FLAP ²	1
24	H20641M	ROD ²	1
25	H20710M	BOLT	1
26	H20704M	CLEVIS PIN ²	1
27	H20074M	SEAL WASHER	1
28	H20647M	SPRING	1
29	C10146M	LINKAGE	1
30	C51665M	HANDLE	1
31	H04981M	COTTER PIN ²	1
32	H20638M	GASKET (BUNA) ²	1
33	H51427M	SCREW (SHOULDER)	1
34	H51786M	E-RING ²	2

REPAIR KITS		
PART NUMBER	DESCRIPTION	QTY.
E10235	UPPER BODY SUBASSEMBLY	N/A
70TTRK	FLAP ASSEMBLY REPLACEMENT KIT	N/A

1 - Included in E10235, 2 - Included in 70TTRK, 3 - Included in 70SGK